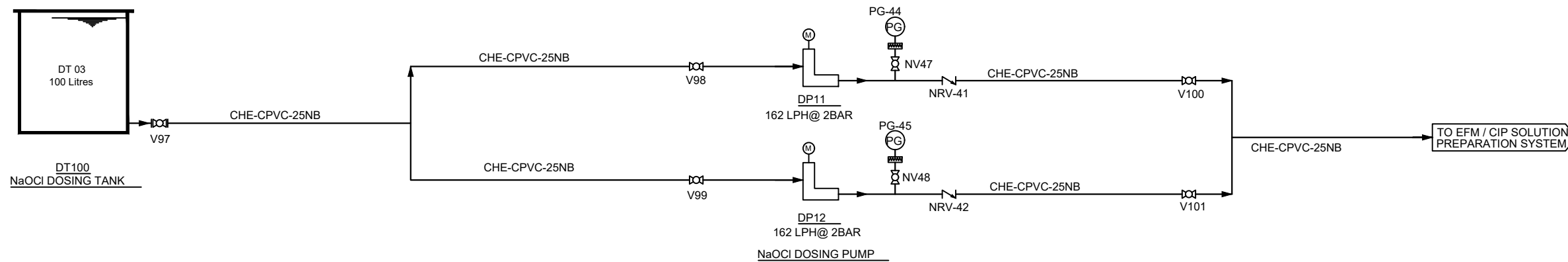
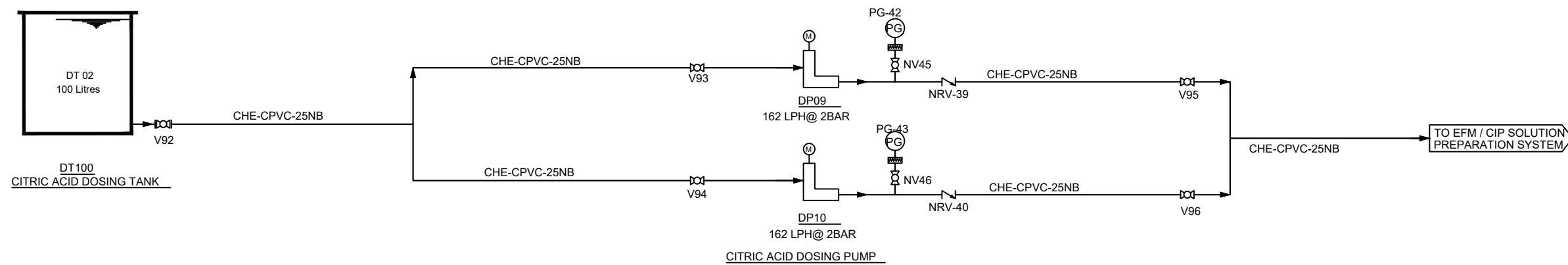
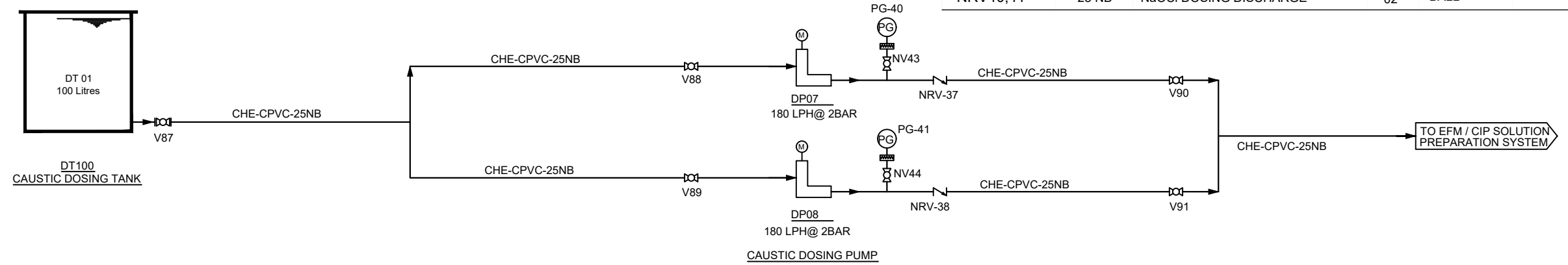


MARK	DESCRIPTION
BL	BELLOWS
BFV	BUTTERFLY VALVE
PABFV	PNEUMATIC ACTUATED BUTTERFLY VALVE
NV	NEEDLE VALVE
BV	BALL VALVE
NRV	NON RETURN VALVE
PG	PRESSURE GAUGE
SLG	SLUICE GATE
V	VALVE
PIT	PRESSURE INDICATOR TRANSMITTER
FIT	FLOW INDICATOR TRANSMITTER
LIT	LEVEL INDICATOR TRANSMITTER
LS	LEVEL SWITCH
FV	FOOT VALVE
MABFV	MOTORISED ACTUATED BUTTERFLY VALVE
PRV	PRESSURE REDUCING VALVE
MV	MOTORISED VALVE
STR	STRAINER
FI	FLOW INDICATOR

INSTRUMENTATION					
MARK	DESCRIPTION	QTY	RANGE	TYPE	
PG40,41	CAUSTIC DOSING DISCHARGE	02	0-4 BAR	-	
PG42,43	CITRIC DOSING DISCHARGE	02	0-4 BAR	-	
PG44,45	NaOCl DOSING DISCHARGE	02	0-4 BAR	-	

VALVE SCHEDULE					
MARK	SIZE	DESCRIPTION	QTY	TYPE	MOC
V87	25 NB	CAUSTIC DOSING SUCTION-COMMON	01	BALL	PP
V88,89	25 NB	CAUSTIC DOSING SUCTION	02	BALL	PP
NV43,44	15 NB	CAUSTIC DOSING DISCHARGE	02	NEEDLE	PP
V90,91	25 NB	CAUSTIC DOSING DISCHARGE	02	BALL	PP
V92	25 NB	CITRIC DOSING SUCTION-COMMON	01	BALL	PP
V93,94	25 NB	CITRIC DOSING SUCTION	02	BALL	PP
NV45,46	15 NB	CITRIC DOSING DISCHARGE	02	NEEDLE	PP
V95,96	25 NB	CITRIC DOSING DISCHARGE	02	BALL	PP
V97	25 NB	NaOCl DOSING SUCTION-COMMON	01	BALL	PP
V98,99	25 NB	NaOCl DOSING SUCTION	02	BALL	PP
NV47,48	15 NB	NaOCl DOSING DISCHARGE	02	NEEDLE	PP
V100,101	25 NB	NaOCl DOSING DISCHARGE	02	BALL	PP
NRV37,38	25 NB	CAUSTIC DOSING DISCHARGE	02	BALL	PP
NRV39,40	25 NB	CITRIC DOSING DISCHARGE	02	BALL	PP
NRV40,41	25 NB	NaOCl DOSING DISCHARGE	02	BALL	PP



NOTES:-  
1. CPVC PIPE PRESSURE RATING ARE PN10.

Project:	IMPROVEMENT AND MODIFICATION OF FACILITIES IN EXISTING WATER TREATMENT PLANT AT MAHINDRA WORLD CITY.		
Client:	MAHINDRA WORLD CITY.		
Consultant:	Dr. P. Selvaraj - CHENNAI.		
DRAWN		TITLE:	P&I CHEMICAL DOSING SYSTEM
CHECKED		SCALE	NTS (A3)
APPROVED		DRG NO.	MWC-IWTP-G-009
DATE		SHEET NO.	9 of 11
REVISION	R-0		